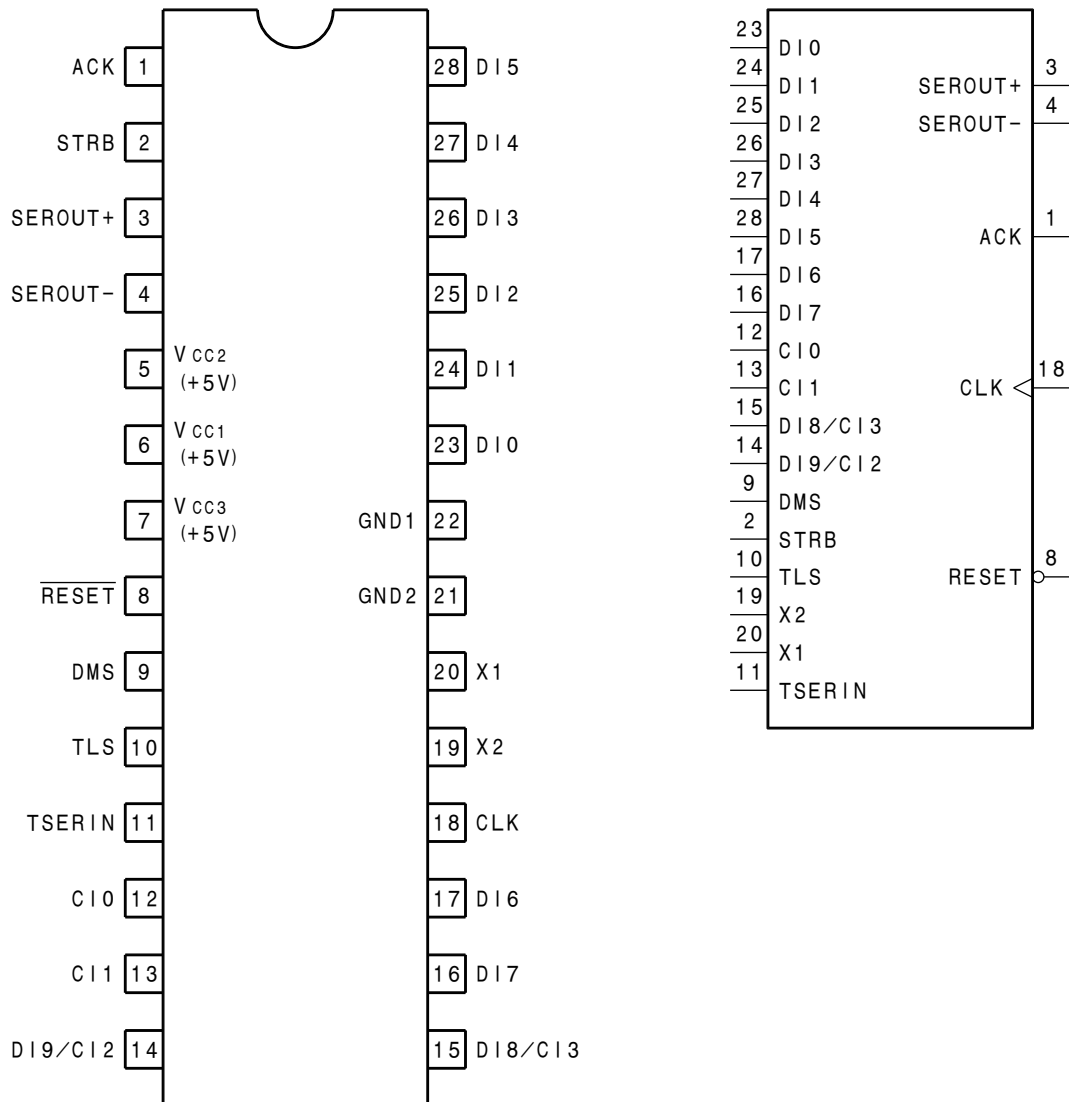


\*\*\*\*\*

TRANSPARENT ASYNCHRONOUS X-MITTER-RECEIVER INTERFACE  
-TOP VIEW- (TRANSMITTER)



INPUT

- C10-C11 ; PARALLEL COMMAND IN
- D10-D17 ; PARALLEL DATA IN
- D18/C13 ; PARALLEL DATA (8) IN OR COMMAND (3) IN
- D19/C12 ; PARALLEL DATA (9) IN OR COMMAND (2) IN
- DMS ; DATA MODE SELECT
- STRB ; STROBE
- TLS ; TEST/LOCAL SELECT
- TSERIN ; TEST SERIAL IN

OUTPUT

- ACK ; ACKNOWLEDGE
- SEROUT+, SEROUT- ; DIFFERENTIAL SERIAL DATA OUT

INPUT/OUTPUT

- CLK ; CLOCK

